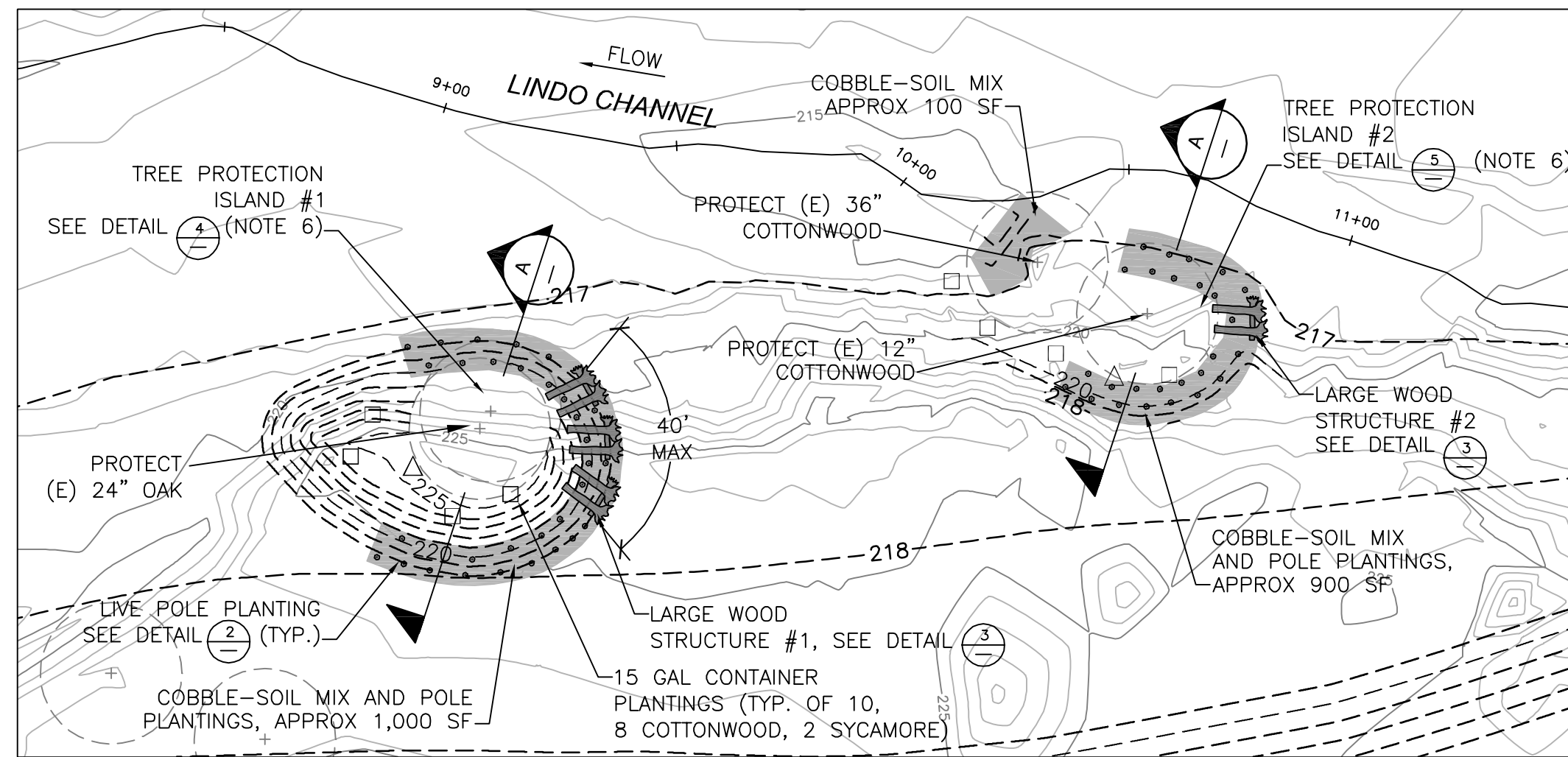
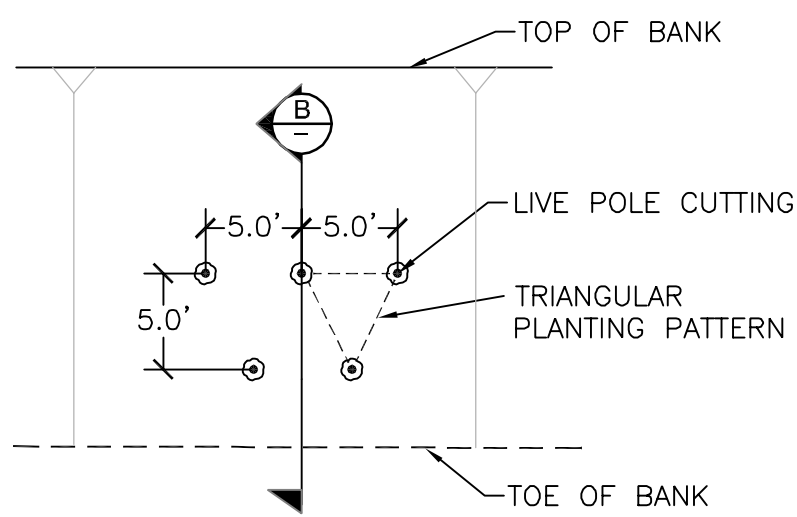


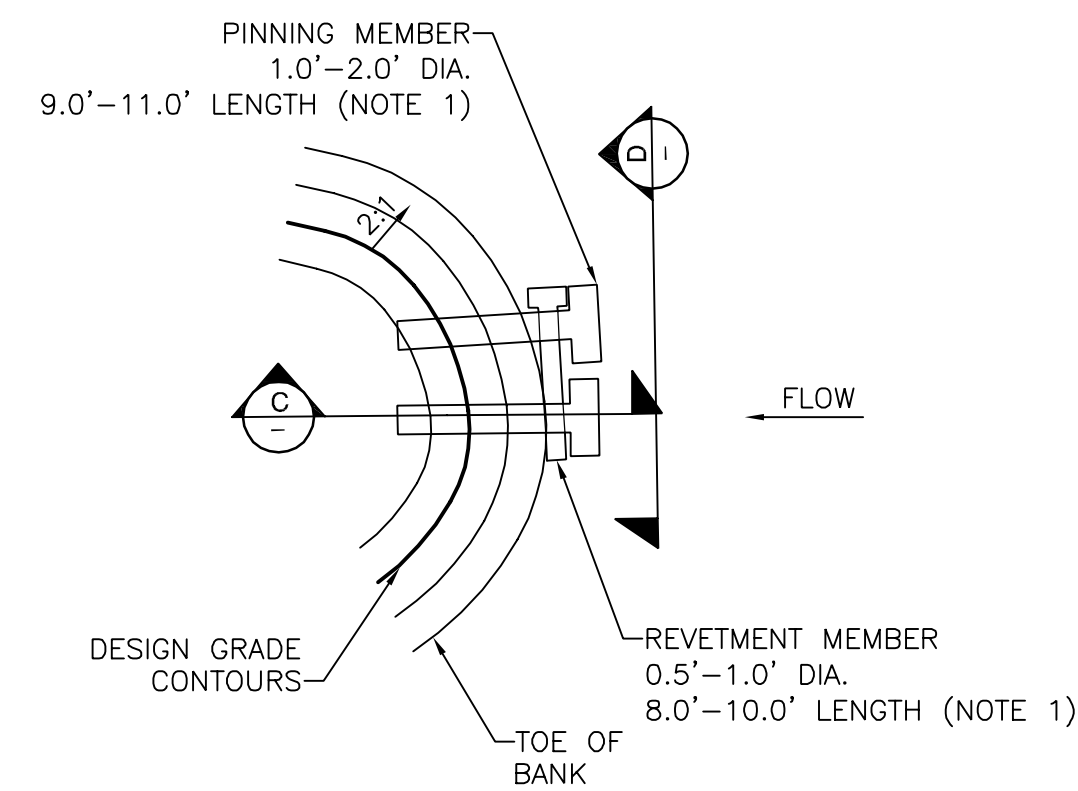
Plan Status: Conceptual, Approved Final, Record



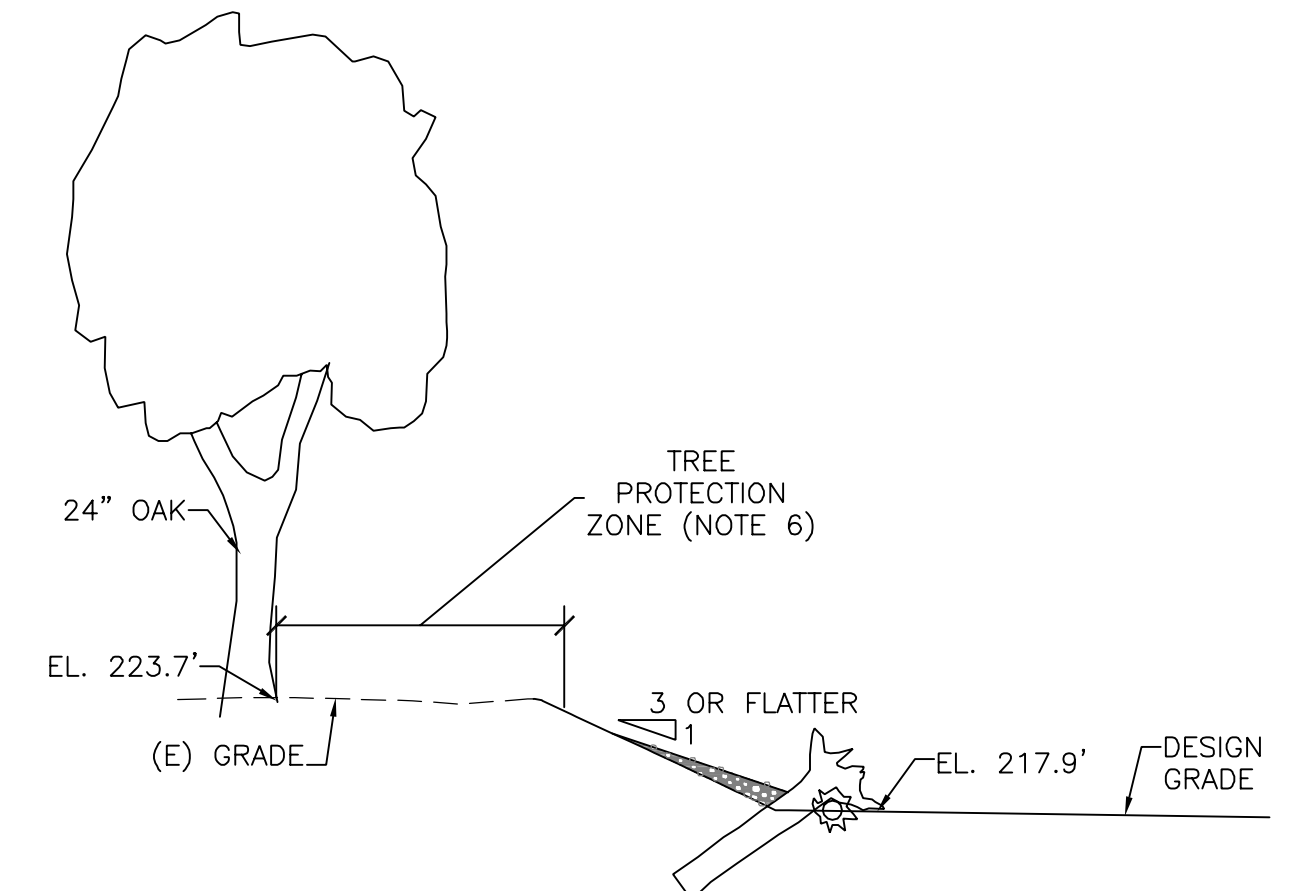
1 TREE PROTECTION ISLANDS
L5 | L7
DETAIL PLAN SCALE 1"=30'



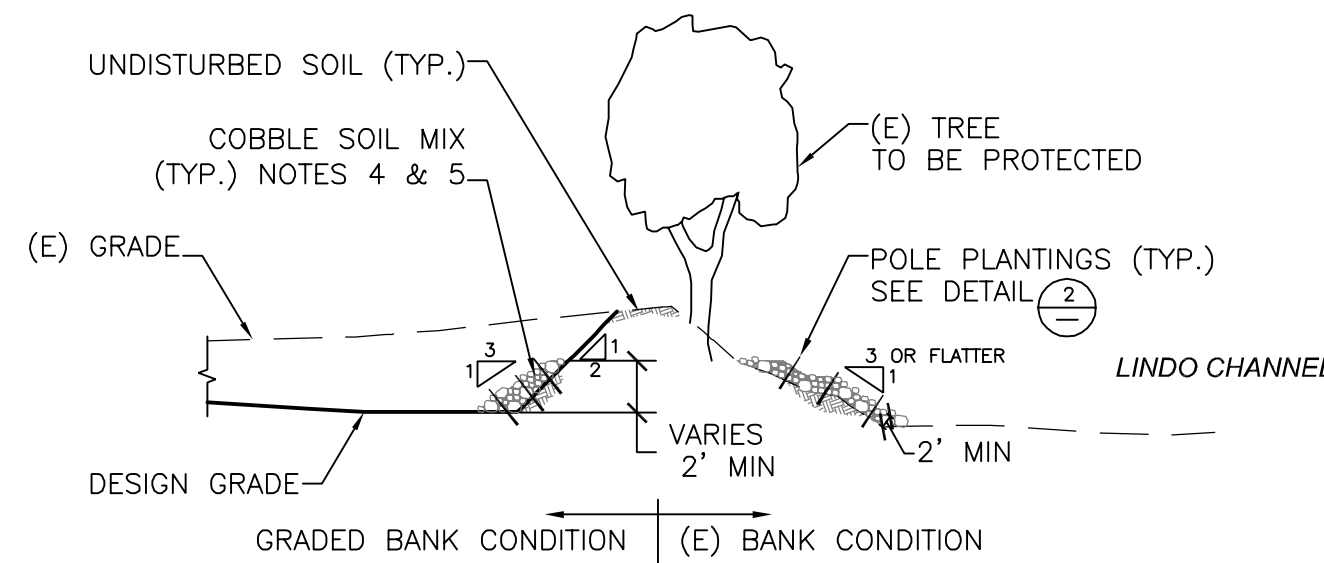
2 LIVE POLE PLANTING
L5 | L7
TYPICAL PLAN DETAIL SCALE 1"=10'



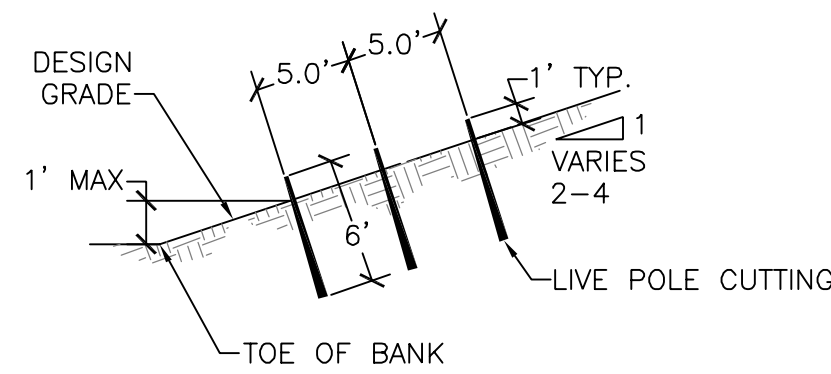
3 LARGE WOOD STRUCTURE (NOTES 1-3)
L5 | L7
TYPICAL PLAN SCALE 1"=10'



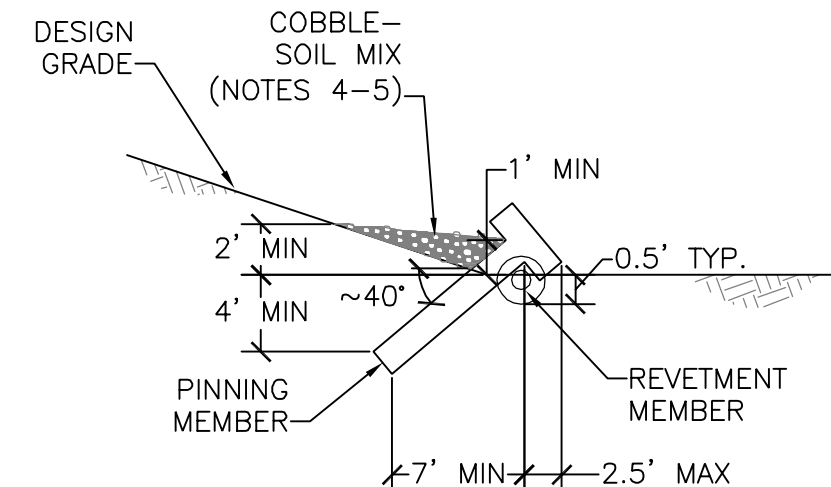
4 TREE PROTECTION ISLAND #1
L5 | L7
LARGE WOOD STRUCTURE DETAIL SECTION SCALE 1"=10'



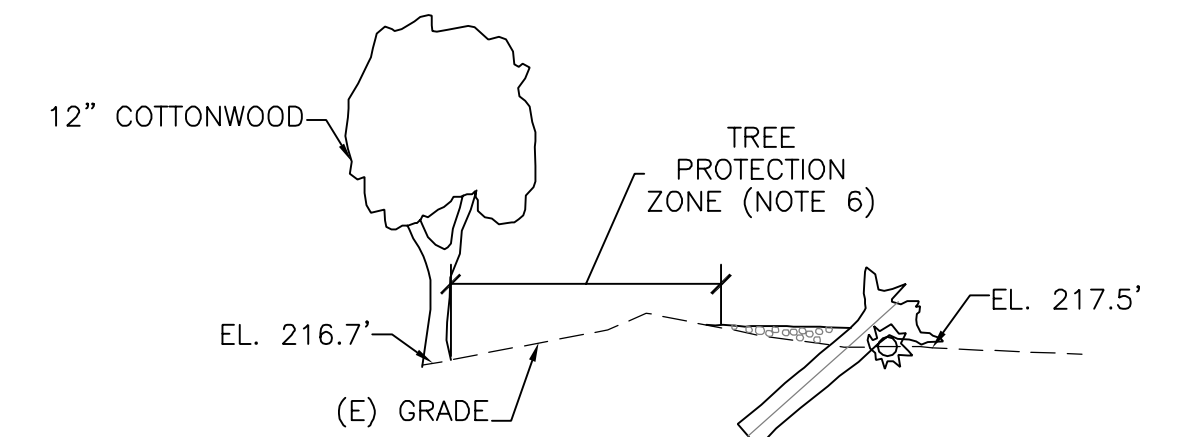
A TREE PROTECTION ISLAND (NOTE 6)
L5 | L7
TYPICAL SECTION, APPROX. SCALE: HORIZ 1"=30', VERT 1"=15'



B TYPICAL SECTION SCALE 1"=10'



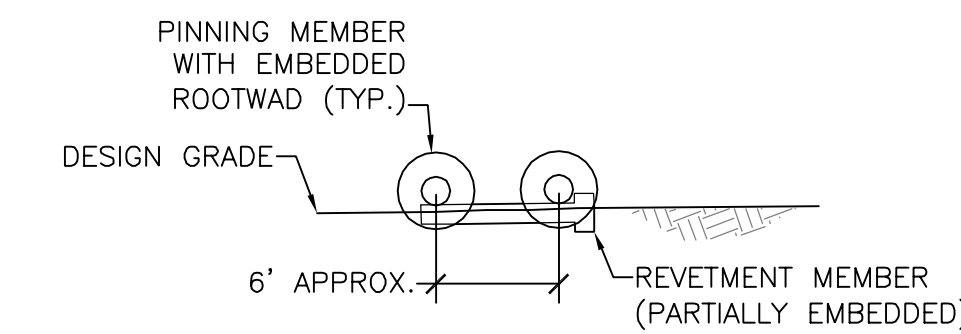
C LARGE WOOD STRUCTURE TYPICAL SECTION SCALE 1"=10'



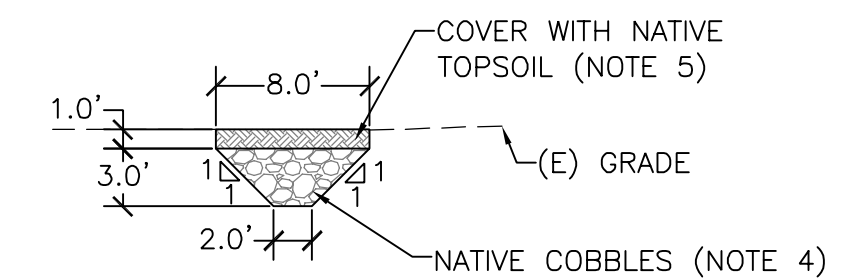
5 TREE PROTECTION ISLAND #2
L5 | L7
LARGE WOOD STRUCTURE DETAIL SECTION SCALE 1"=10'

NOTES:

1. ONSITE TREES AVAILABLE FOR LARGE WOOD STRUCTURES WILL BE FLAGGED IN ADVANCE OF CONSTRUCTION BY OWNER'S REPRESENTATIVE. CONTRACTOR SHALL SELECT, TOPPLE, AND CUT LOGS WITH ROOTWADS INTACT AS NEEDED TO MEET DIMENSIONS SHOWN ON PLANS AND OTHER REQUIREMENTS (SEE SPECIFICATIONS).
2. ALL LOGS SHALL BE REVIEWED BY THE RESTORATION ENGINEER PRIOR TO INSTALLATION, PER THE SPECIFICATIONS.
3. EMBEDMENT OF LOGS SHALL MEET OR EXCEED DIMENSIONS SHOWN.
4. NATIVE COBBLES AND GRAVEL SHALL BE OBTAINED FROM EXISTING ONSITE SOURCES AND FLOODPLAIN GRADING ACTIVITIES AS APPROVED BY THE RESTORATION ENGINEER. (SEE SPECIFICATIONS).
5. SEE SPECIFICATIONS FOR REQUIREMENTS FOR NATIVE TOPSOIL AND COBBLE-SOIL MIX.
6. TREE PROTECTION ISLANDS SHALL BE GRADED IN ACCORDANCE WITH CITY OF CHICO TREE PROTECTION MEASURES. TREE LOCATIONS SHALL BE VERIFIED IN THE FIELD BY THE CONTRACTOR PRIOR TO CONSTRUCTION.



D LARGE WOOD STRUCTURE TYPICAL ELEVATION SCALE 1"=10'

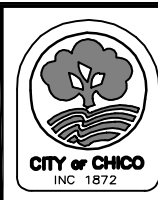


6 CUTOFF TRENCH TYPICAL SECTION SCALE 1"=10'

Designed: PLL C66113	Approved:	Revision	Date	By	Prepared By:
Drawn By: PLL	Date: JUNE 2008				
Checked: AEB					

Prepared By: **PWA**
PHILIP WILLIAMS & ASSOCIATES, LTD.
ENVIRONMENTAL, HYDROLOGY
500 KEARNY STREET, SUITE 900
SAN FRANCISCO, CALIFORNIA 94102
PHONE 415.262.2200 FAX 415.262.2303

CITY OF CHICO
GENERAL SERVICES DEPARTMENT



VERBENA FIELDS
BIOTECHNICAL FEATURES - DETAILS

Project Number: 16030-300-4150	Drawing Number: L-7
Scale: AS SHOWN	Sheet 7 of 17

